

## High Performance to the Core

The U50 offers users reduced noise levels, ease-of-use controls coupled with efficient operation and easy maintenance.



### More transparency for the operator – fewer mistakes and better results

- Simple, clear and colour-coded controls made from robust CN-switches
- Integrated temperature displays for tank and boiler water
- Electro mechanical controls



### Cleaner machine – lower bills and longer life expectancy

- Full coverage filtration system – less water changes due to cleaner wash water
- Removable rack and door guides offer better access for cleaning and maintenance



### Excellent wash results and perfect hygiene

- Rotating wash and rinse system for efficient removal of dirt
- Complete coverage of wash area, including corners
- Wash and rinse arms easy to remove and clean



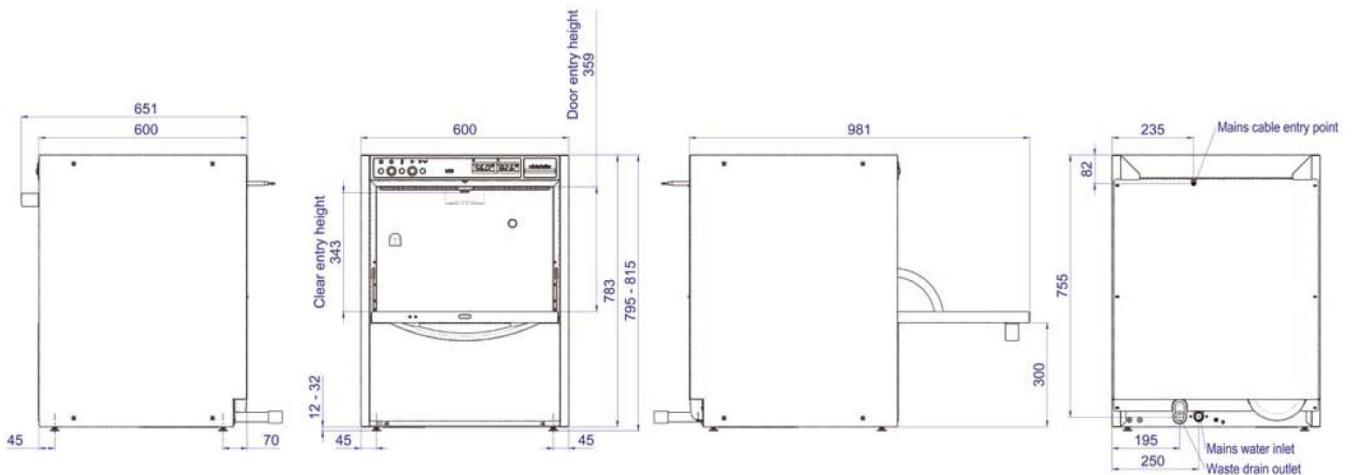
### Lower energy bills and noise reduction

- Double walled door with solid construction
- Low capacity wash tank for quicker start-up and lower bills

## Under Counter Warewasher U50

Technical data		
Number of programmes		1
Theoretical capacity version 1	[racks/h]	30
Theoretical capacity version 2	[racks/h]	20
<b>Water consumption</b>		
Tank capacity	[l]	18
Rinse water consumption per cycle	[l]	2,7
<b>Temperatures</b>		
Tank temperature	[°C]	62
Rinse temperature	[°C]	85
<b>Electrical specifications</b>		
Total connected load		
– Three-phase AC	[kW]	6,84
– Alternating current	[kW]	6,84
Fuse protection		
– Three-phase AC	[A]	16
– Alternating current	[A]	32
Circulating pump (P1)	[kW]	0,84
Tank heating	[kW]	2
Boiler heating	[kW]	6
<b>Other information</b>		
Max. water inlet temperature	[°C]	60
Required water flow pressure for pressure boiler	[bar]	2
Required water flow pressure for non pressurized boiler	[bar]	1
Splash guard		IP X3
Weight, net/gross	[kg]	66/71

- Dimensions



Winterhalter (M) Sdn Bhd (710536-X)

12, Jalan PJU 3/46, Sunway Damansara Technology Park, 47810 Petaling Jaya, Selangor, Malaysia

Tel: +603 7803 6621 Fax: +603 7803 1129 Email: info@winterhalter.com.my