








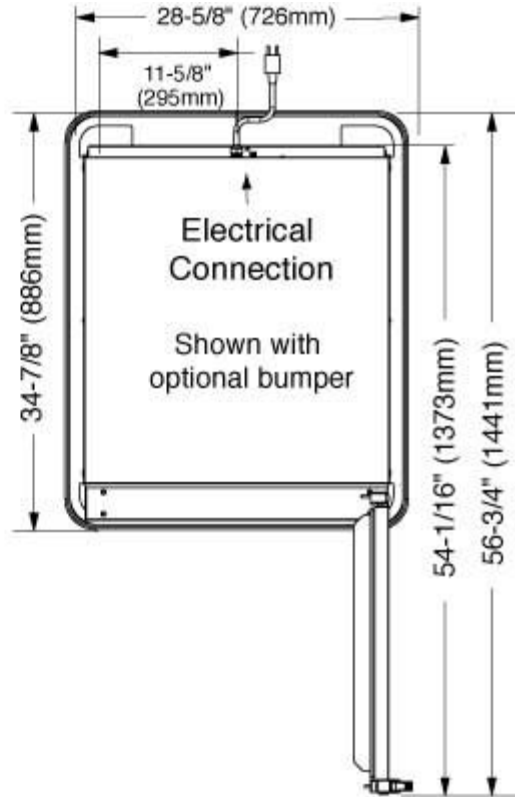


Alto-Shaam Inc: W164 N9221 Water Street, P.O. Box 450, Menomonee Falls, WI 53052  
 ☎ +1-262-251-3800 (USA) ☎ +1-905-660-6781 (Canada) ☎ +86-21-6173 0336 (China)  
 ☎ +33(0)4-88-78-21-73 (France) ☎ +49(0)234 298798.0 (Germany) ☎ +39.33857.48975 (Italy)  
 email: [international@alto-shaam.com](mailto:international@alto-shaam.com)

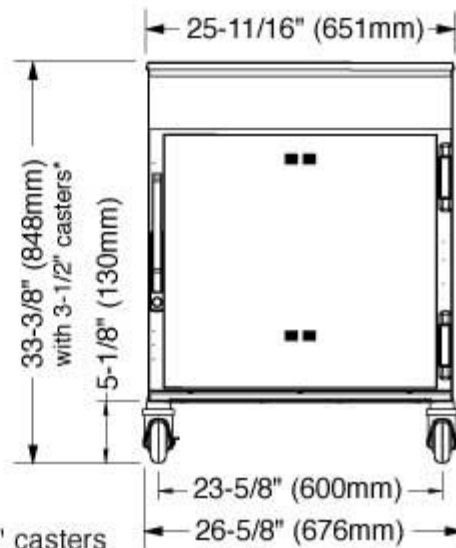
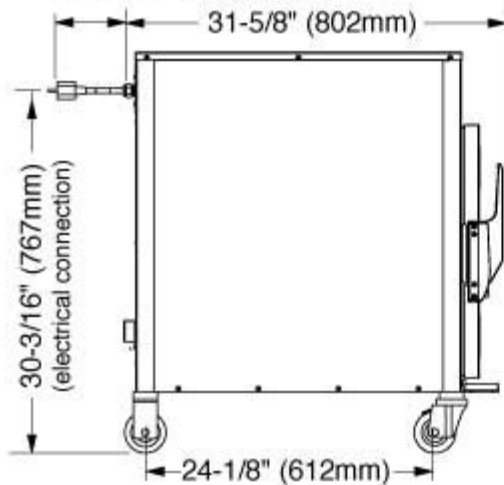
	<b>BRAND:</b> ALTO-SHAAM										
	<b>MODEL:</b> 767-SK/III										
	<b>CATEGORY:</b> Smoker, Cook & Hold oven										
	<b>ORIGIN:</b> USA										
	<b>PRICE:</b>										
<b>PRODUCT FUNCTION</b>	Smoker oven (hot & cold), Low temperature oven and holding cabinet										
<b>DIMENSIONS</b>	848mm x 651mm x 802mm (H x W x D)										
<b>TECHNOLOGY</b>	Alto-Shaam HALO HEAT™ technology										
<b>WEIGHT</b>	Net: 86kg // Ship: 128kg										
<b>ELECTRICAL</b>	<table border="1"> <thead> <tr> <th>Voltage</th> <th>Phase</th> <th>Cycle (Hz)</th> <th>AMP</th> <th>KW</th> </tr> </thead> <tbody> <tr> <td>230</td> <td>1</td> <td>50/60</td> <td>14</td> <td>3.1</td> </tr> </tbody> </table>	Voltage	Phase	Cycle (Hz)	AMP	KW	230	1	50/60	14	3.1
Voltage	Phase	Cycle (Hz)	AMP	KW							
230	1	50/60	14	3.1							
<b>SPECIFICATIONS</b> 	<ul style="list-style-type: none"> <li>• HALO HEAT™ technology... a controlled, uniform heat source that gently cooks, holds, and surrounds food for better appearance, taste, and longer holding life.</li> <li>• Low energy consumption – 230v / 1-ph unit</li> <li>• No oven hoods or outside venting required.</li> <li>• Stainless steel construction.</li> <li>• Programmable with 8 preset buttons.</li> </ul>										
<b>STACKABLE DESIGN</b>	<ul style="list-style-type: none"> <li>• 767-SK/III on 767-SK/III</li> <li>• 767-SK/III on 750-S</li> <li>• 767-SK/III on 750-TH/III</li> </ul>										
<b>CAPACITY</b>	<ul style="list-style-type: none"> <li>• 9 x GN 1/1 (65mm deep)</li> <li>• 5 x GN 1/1 (100mm deep)</li> <li>• Maximum weight: 45 kg</li> <li>• Maximum volume: 67 liters</li> </ul>										
<b>TEMPERATURE RANGE</b>	<ul style="list-style-type: none"> <li>• Cooking: 93°C to 162°C</li> <li>• Smoking: 10°C to 91°C</li> <li>• Holding: 15°C to 96°C</li> </ul>										
<b>APPLICATION</b>	<ul style="list-style-type: none"> <li>• Smoking mode = Hot or Cold</li> <li>• Cooking mode = limited shrinkage</li> <li>• Holding mode = tenderization</li> </ul>										
<b>STANDARD ACCESSORIES</b>	<ul style="list-style-type: none"> <li>• 2 stainless steel side racks (11-pan positions)</li> <li>• 2 wire shelves (GN 1/1)</li> <li>• 1 stainless steel Rib Rack</li> <li>• 1 stainless steel drip pan</li> <li>• 1 wood chip container</li> <li>• Removable Probe</li> <li>• 1 set of 89mm casters — 2 rigid, and 2 swivel with brake</li> </ul>										
<b>OPTIONAL ACCESSORIES</b>	<ul style="list-style-type: none"> <li>• HACCP Documentation, Data Logger</li> <li>• Window Door</li> <li>• Left-hand swing</li> <li>• Custom colors</li> <li>• Natural wood chips: apple, cherry, hickory, maple (9k box)</li> </ul>										
<b>WARRANTY</b>	<ul style="list-style-type: none"> <li>• One (1) year warranty from installation date</li> <li>• Lifetime warranty on all Cook &amp; Hold heating element (labor excluded)</li> </ul>										
 Ecologically Smart. Economically Smart.    											



Alto-Shaam Inc: W164 N9221 Water Street, P.O. Box 450, Menomonee Falls, WI 53052  
☎ +1-262-251-3800 (USA) ☎ +1-905-660-6781 (Canada) ☎ +86-21-6173 0336 (China)  
☎ +33(0)4-88-78-21-73 (France) ☎ +49(0)234 298798.0 (Germany) ☎ +39.33857.48975 (Italy)  
email: [international@alto-shaam.com](mailto:international@alto-shaam.com)



Cord Length  
230V - 8 ft. (2438mm)  
208-240V - 6 ft. (1829mm)



\*31-11/16" (804mm) - with optional 2-1/2" casters  
\*35-1/16" (890mm) - with optional 5" casters  
\*33-13/16" (858mm) - with optional 6" legs