

C1030 – 1000 lb Cube Ice Machine

Prodigy® Modular Cube Ice Maker



Shown on B948S bin with optional KLPSS legs.

Features

Prodigy® cubers use **significantly less energy and water** than other cube ice machines, exceeding Federal energy efficiency regulations.

AutoAlert™ indicator lights constantly communicate about operating status and actually signal your staff when it's time to descale, sanitize, and more—making upkeep practically foolproof.

The patented **WaterSense adaptive purge control** delivers maximum reliability by reducing scale buildup for a longer time between cleanings.

Preventative maintenance is simpler than ever with easily-removed panels allowing clear access to internal components and a diagnostic code display insuring the right fix the first time. Reusable air filter is easily removable from the outside.

All external panel components are crafted for **optimal aesthetic appeal** through superior fit and finish.

An optional **advanced feature Smart-Board™** provides NAFEM data protocol and additional operational data that can be displayed on-screen or transmitted remotely, resulting in early alert and fast diagnosis of operating issues.

An optional **Vari-Smart™ ultrasonic ice level control** sensor allows you flexibility to program ice levels, for up to 7 days, keeping just the right amount of freshly made ice in the bin.

24 Hour Volume Production

| Air Cooled | | Remote | | Water Cooled | |
|---------------------------------|--------------|---|---------------------------------|--------------|---|
| 70°F/21°C 50°F/10°C lb/kg | Air Water | AHRI 90°F/32°C 70°F/21°C lb/kg | 70°F/21°C 50°F/10°C lb/kg | Air Water | AHRI 90°F/32°C 70°F/21°C lb/kg |
| 1077/490 | | 844/384 | 996/453 | | 851/387 |
| | | | 996/453 | | 851/387 |



Modular Bin Options

* Stainless Steel with Galvanized Back & Bottom.

| Model Number | Dimensions W" x D" x H" | AHRI Certified Bin Capacity lb/kg | Application Capacity lb/kg | Finish | Ship Weight lb/kg |
|--------------|-------------------------|-----------------------------------|----------------------------|------------|-------------------|
| B842S | 42 x 34 x 44 | 610/277 | 778/353 | SS | 185/84 |
| B948S | 48 x 34 x 44 | 700/319 | 893/406 | SS | 220/100 |
| BH1100BB | 48 x 34 x 50 | 860/390 | 1100/499 | SS w/ GBB* | 280/127 |
| BH1100SS | 48 x 34 x 50 | 860/390 | 1100/499 | SS | 280/127 |



Bin: BH1100SS

Cube Ice



Small Cube
3/8" x 3/8" x 3/8"
(2.22 x 2.22 x .95 cm)

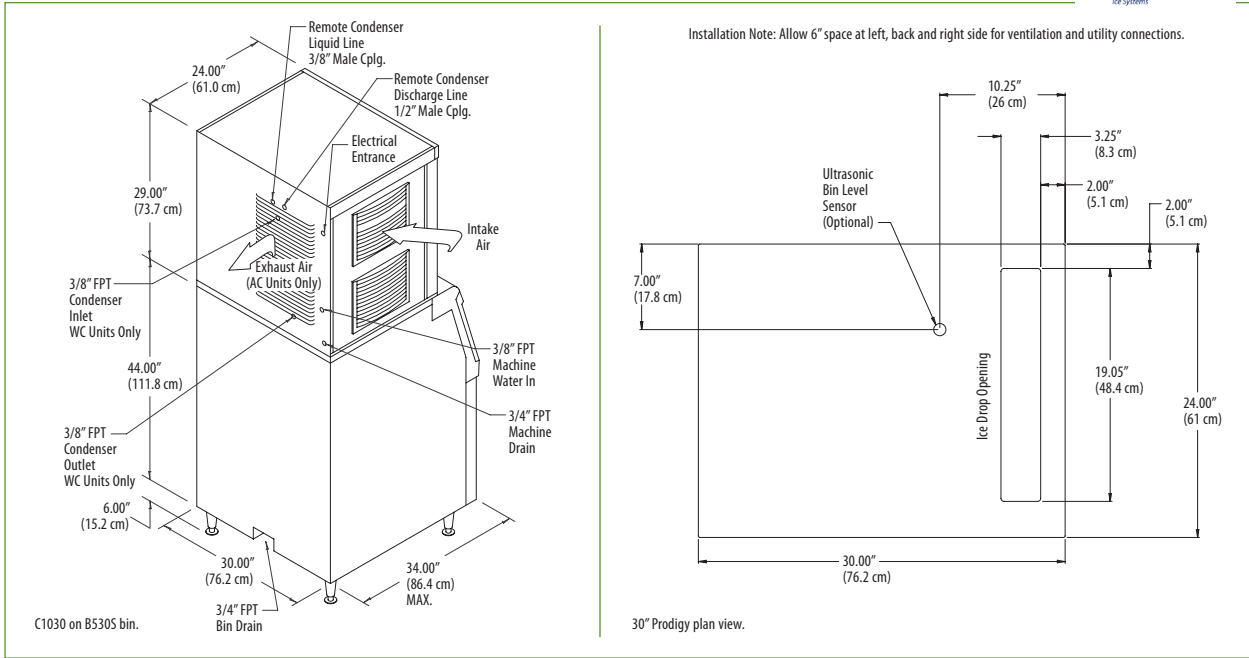
Medium Cube
7/8" x 7/8" x 7/8"
(2.22 x 2.22 x 2.22 cm)

Common ice form, ideal for mixed drinks.

Warranty

- 3 years parts and labor on all components.
- 5 years parts and labor on the evaporator.
- 5 years parts on the compressor and condenser.

Warranty valid in North, South & Central America. Contact factory for warranty in other regions.



Specifications

| Model Number Cube Size: medium or small | Condenser Unit | Basic Electrical Volts/Hz/Phase | Max. Fuse Size or HACR Circuit Breaker (amps) | Circuit Wires | Min. Circuit Ampacity | Energy Consumption kWh/100 lb (45.4 kg) 90°F(32°C)/70°F(21°C) | Water Usage Gallons/100 lb (liters/45.4 kg) | |
|--|----------------|------------------------------------|---|------------------|--------------------------|---|--|--|
| | | | | | | | Potable 90°F(32°C)/ 70°F(21°C) | Condenser 90°F(32°C)/ 70°F(21°C) |
| C1030MA-32 | Air | 208-230/60/1 | 20 | 2 | 16.0 | 5.0 | 18.4/69.8 | - |
| C1030MR-32 | Remote | 208-230/60/1 | 20 | 2 | 15.8 | 5.0 | 18.2/69.0 | - |
| C1030MW-32 | Water | 208-230/60/1 | 15 | 2 | 14.8 | 4.4 | 19.7/74.7 | 153.0/580.1 |
| C1030SA-32 | Air | 208-230/60/1 | 20 | 2 | 16.0 | 5.0 | 18.4/69.8 | - |
| C1030SR-32 | Remote | 208-230/60/1 | 20 | 2 | 15.8 | 5.0 | 18.2/69.0 | - |
| C1030SW-32 | Water | 208-230/60/1 | 15 | 2 | 14.8 | 4.4 | 19.7/74.7 | 153.0/580.1 |
| C1030MA-3 | Air | 208-230/60/3 | 15 | 3 | 11.0 | 5.0 | 18.4/69.8 | - |
| C1030SR-3 | Remote | 208-230/60/3 | 15 | 3 | 10.8 | 5.0 | 18.2/69.0 | - |
| C1030SW-3 | Water | 208-230/60/3 | 15 | 3 | 9.8 | 4.4 | 19.7/74.7 | 153.0/580.1 |

 = ENERGY STAR®

All Models

Dimensions (W x D x H):

Unit:
30" x 24" x 29"
(76.2 x 61.0 x 73.7 cm)

Shipping Carton:
33.5" x 27.5" x 34"
(85.1 x 69.9 x 86.4 cm)

Shipping Weight:
235 lb / 107 kg

BTUs per hour:
16,200

Accessories

| Model Number | Description |
|--------------|---|
| KVS | Vari-Smart™ Ice Level Control - Program ice bin levels to match ice needs. |
| KSBU | Smart-Board™ Advanced Control - Use additional operational data for fast diagnosis. |
| KSBU-N | Smart-Board™ Advanced Control with Network - Network capable. |
| ERC311-32 | Remote Condenser for C1030xR, 208-230/60/1 - Consult Remote Condenser Spec Sheet for details. |
| RTE10 | Line set, Precharged, R-404A, 10ft. |
| RTE25 | Line set, Precharged, R-404A, 25ft. |
| RTE40 | Line set, Precharged, R-404A, 40ft. |
| RTE75 | Line set, Precharged, R-404A, 75ft. |
| KPAS | Prodigy Advanced Sustainability kit- Includes KVS and KSBU-N |

* Scotsman recommends all ice machines have water filtration. See Scotsman Sanitation Matrix for details.

Operating Requirements

| | Minimum | Maximum |
|---------------------------|-------------------|-------------------|
| Air Temperatures | 50°F (10°C) | 100°F (38°C) |
| Water Temperatures | 40°F (4.4°C) | 100°F (38°C) |
| Remote Cond. Temps | -20°F (-29°C) | 120°F (49°C) |
| Water Pressures | 20 PSIG (1.4 bar) | 80 PSIG (5.5 bar) |
| Electrical Voltage | -5% | +10% |

Specifications and design are subject to change without notice.

Scotsman Ice Systems - 775 Corporate Woods Parkway - Vernon Hills, IL 60061

1-800-SCOTSMAN

Fax: 847-913-9844

E-mail: customer.relations@scotsman-ice.com

www.scotsman-ice.com