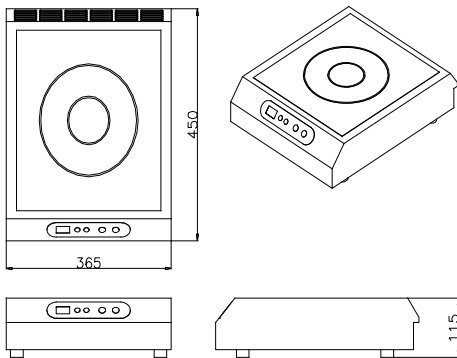


**PORTABLE KITCHEN INDUCTION**



		DESCRIPTION		
<b>Part No.</b>		<b>CK35-E</b>		
<b>Operating Voltage</b>		208/240V , 50/60Hz 1PH		
<b>Power Consumption</b>		Max Output: 3300W		
<b>Amperage</b>		Total: 15A		
<b>Heating Power Setting</b>		Warming: 7 Steps (H1~H7) Cooking: 10 Steps		
<b>Dimension (mm)</b>		Product: 365*450*115 , Packing: 425*515*200		
<b>Weight</b>		7		
<b>Control Method</b>		Integrated panel with button		
<b>Product Type</b>		Counter-top		
<b>Cookware Diameter</b>		Min: $\varnothing$ 130 mm , Max: $\varnothing$ 300 mm		
<b>Loadable Weight (kg)</b>		Max. 30		
<b>Time Required for Boiling Water</b>	<b>Capacity</b>	<b>5L (10 portions)</b>	<b>10L (20 portions)</b>	<b>15L (30 portions)</b>
	<b>Time</b>	Approx. 13 min 30 sec	Approx. 27 min	Approx. 40 min 20 sec
	<b>Note</b>	※ one portion converted into 500ml ※ start point: 25 °C (room temperature) ※ the abovementioned time can be changed according to actual environment/each different situation		
<b>Main Function</b>		<input checked="" type="checkbox"/> <b>Safety</b> - Over-current indication: Error E1 - Over-voltage indication: Error E2 (above 260V) - Low-voltage indication: Error E3 (below 180V) - Product super-heating indication: Error E4 (internal temperature above 80°C ) - Top overheating indication: Error E6 (above 230°C) <input checked="" type="checkbox"/> <b>Warming:</b> H1 ~ H7 (35°C ~ 90°C) <input checked="" type="checkbox"/> <b>Cooking:</b> 1 ~ 10 (same applies to both of 2 holes)		
<b>Comparison</b>	<b>Item</b>	<b>Induction (1 hole)</b>		<b>City Gas (1 hole)</b>
	<b>kw</b>	2.6		4.64
	<b>kcal/h</b>	2241.38		4000
	<b>kcal/h</b>	2017.242 (90% of efficiency)		2000 (50% of efficiency)
<b>After-Sales Service</b>		1-year warranty (to be charged in case of consumer's negligence)		

**BK26-E IMPLEMENTATION**

**Application Examples**



**Product Use**

- For various dishes through general cooking, shabu-shabu etc.
- Being utilized in cooking classes thanks to high portability
- As a warmer after cooking
- High-quality frying supported with temperature probe sensor

※ Remarks

