



*Quality at an affordable price*

**RANKIN-DELUX®**

**COMMERCIAL COOKING EQUIPMENT**

Item # \_\_\_\_\_

# **RDHP**

## **Hot Plates**

---

### **Standard Features:**

- ◆ Compact heavy gauge chassis for long life.
- ◆ Stainless steel sides, valve cover and plate ledge for easy cleaning.
- ◆ Double side panels for better insulation.
- ◆ 30,000 BTU cast iron burners featuring removable non-clog lift off heads.
- ◆ Heavy cast iron 12" x 12" top grates with unique bowl design, level to the plate ledge.
- ◆ Protected standing pilot for each burner provides immediate safe ignition.
- ◆ Manual control for each burner.
- ◆ Full width removable crumb pan.
- ◆ 4" high adjustable heavy duty legs included.



### **Optional Features:**

- ◆ 10" diameter Stainless steel wok rings to fit top grate.
- ◆ Interchangeable wok or saute burner heads.
- ◆ Stainless steel stand with adjustable legs.
- ◆ Casters for stands.

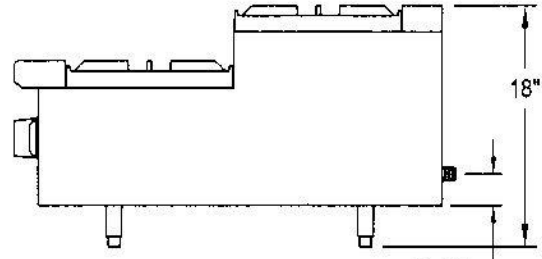
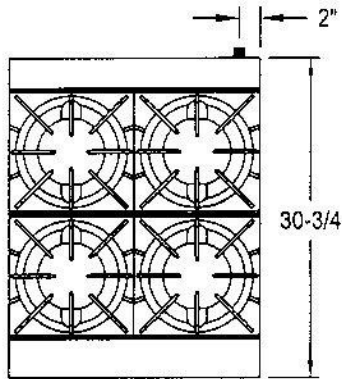
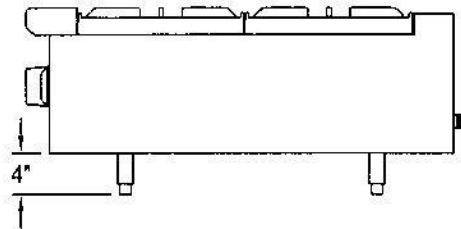
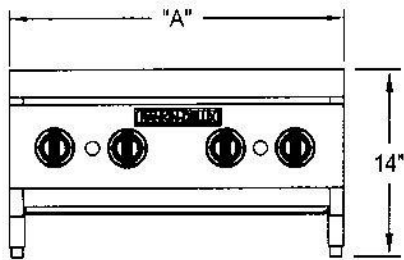
***Rankin-Delux Hot Plates are user friendly, designed to last and easy to clean. They are made of heavy gauge stainless steel. The heavy cast iron top grates and large plate ledge complement the work surface. Models ranging from one to eight open burners are available. The heavy duty cast iron top grates in 12" x 12" sections can be removed easily and safely. A protected standing pilot light for each burner provides immediate safe ignition***

Due to continuing product development, these specifications are subject to change without prior notice.

**RANKIN-DELUX, INC.**  
**Phone: (951) 685-0081 • Fax: (951) 685-0084**

**3245 Corridor Drive**  
**Eastvale, CA 91752-1030**

---



STEP UP - SIDE VIEW

RDHP-24-4

**STANDARD HOT PLATES**

MODEL	WIDTH (A) inch	DEPTH inch	NUMBER OF BURNERS	TOTAL BTU	SHIP WEIGHT lbs / kg
RDHP-12-1	12	15-3/4	1	30,000	60 / 27
RDHP-12-2	12	30-3/4	2	60,000	95 / 43
RDHP-24-2	24	15-3/4	2	60,000	95 / 43
RDHP-24-4	24	30-3/4	4	120,000	155 / 70
RDHP-36-6	36	30-3/4	6	180,000	215 / 98
RDHP-48-8	48	30-3/4	8	240,000	280 / 127

**STEP-UP HOT PLATES**

MODEL	WIDTH (A) inch	DEPTH (B) inch	NUMBER OF BURNERS	TOTAL BTU	SHIP WEIGHT lbs / kg
RDHP-12-2SU	12	30-3/4	2	60,000	95 / 43
RDHP-24-4SU	24	30-3/4	4	120,000	155 / 70
RDHP-36-6SU	36	30-3/4	6	180,000	215 / 98
RDHP-48-8SU	48	30-3/4	8	240,000	280 / 127

**Gas connection:** 3/4" NPT at hand rear of the appliance. No external pressure regulator required.

**Gas pressure:** 5" W.C. - Natural gas 10" W.C. - Propane

**Clearances:** Sides Rear Specify type of gas and altitude if over 2,000 feet when ordering.

Combustible 15" 6"

Non-combustible 0 0

**RANKIN-DELUX, INC.**  
**Phone: (951) 685-0081 • Fax: (951) 685-0084**

**3245 Corridor Drive**  
**Eastvale, CA 91752-1030**