

ICB-DV LP

23.1" x 23.8" x 10.1"
(58.7cm x 60.5cm x 25.7cm)



- Brews into 1gal (3.8L) baseless ThermoFresh® servers for easy transport of coffee to other locations
- Three brew buttons allow for 3 separate brewing profiles. Two programmable batch switches allow full and half batch brewing.
- BrewWISE® intelligence with pre-infusion and pulse brew for maximum flavor extraction
- Compatible with BUNNlink®
- Digital display in English/Spanish for easier programming and control. Advertising messages and machine status also displayed. Display capable of showing English or Metric measurements.
- Dual voltage adaptable (Can operate at 120V/15 amp or 120/208-240V/20 amp)
- Easy pulse display allows for simplified programming of pulse routine
- Energy-saver mode reduces tank temperature during idle periods
- Hot water faucet kit included to allow for mounting on side of trunk or on upper control panel
- Includes overlay kit for customization of brewer interface
- Low Lead Certified
- Large 3gal (11.4L) tank provides back-to-back brewing capacity at 120/208-240V applications

Agency:

 Servers and airpots sold separately

Specifications

Product #: 36600.0016

Funnel: Smart Funnel

Faucet: Upper

Water Access: Plumbed

Additional Features

BrewWISE

Electrical & Capacity

Volts	Amps	Watts	Cord Attached	Plug Type	8oz cups/hr 236ml cups/hr	Input H ₂ O Temp.	Phase	# Wires plus Ground	Hertz
120	14	1700	Yes	NEMA 5-15P	-	60°F (15.5°C)	1	2	60
120/208	14	2900	-	N/A	1088	60°F (15.5°C)	-	-	-
120/240	17	4050	-	N/A	1446	60°F (15.5°C)	-	-	-

Plumbing Requirements

PSI	kPa	Fitting Supplied	Water Flow Required (GPM)
20-90	138-621	3/8" Male Flare Fitting	-

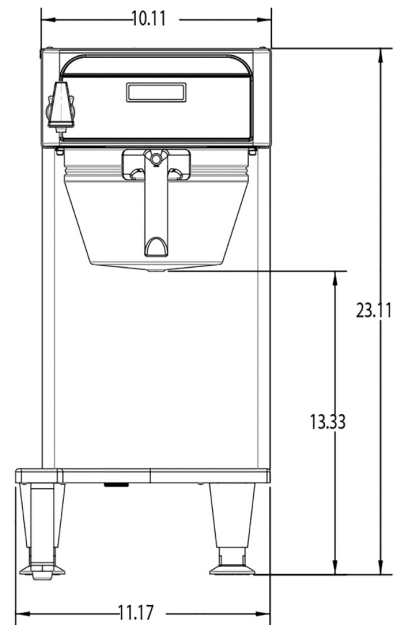
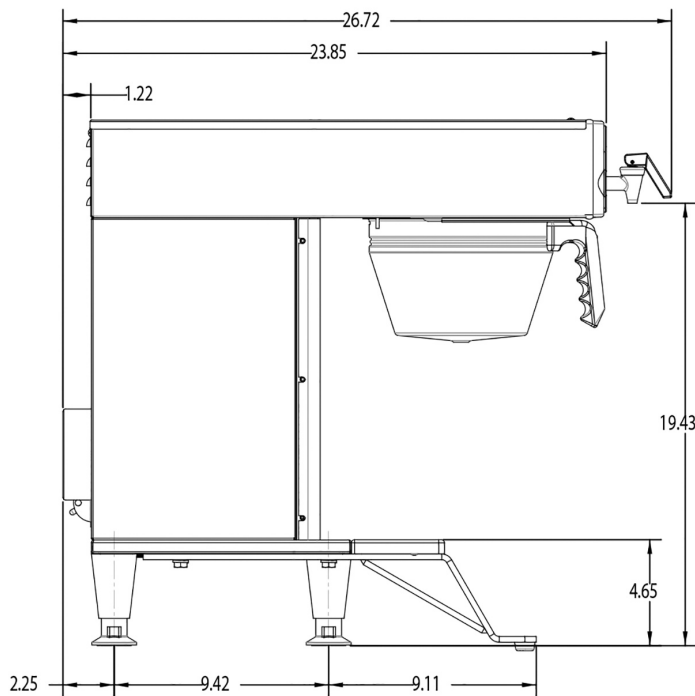
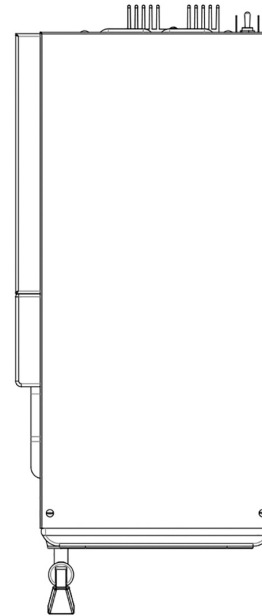
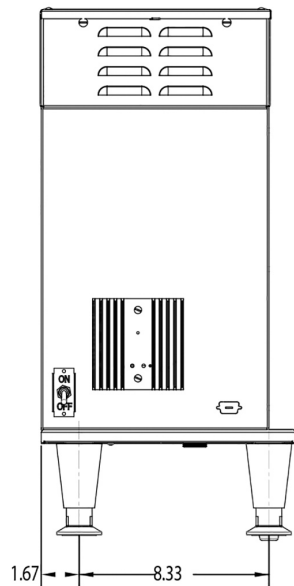
CAD Drawings

2D	Revit	KLC
●		



BUNN® reserves the right to change specifications and product design without notice. Such revisions do not entitle the buyer to corresponding changes, improvements, additions or replacements for previously purchased equipment. For most current specifications and other info visit bunn.com.

Created on:
08/24/2017



Unit			Shipping					
	Width	Height	Depth	Width	Height	Depth	Weight	Volume
English	10.1 in.	23.1 in.	23.8 in.	-	-	-	48.500 lbs	-
Metric	25.7 cm	58.7 cm	60.5 cm	-	-	-	22.000 kgs	-



BUNN® reserves the right to change specifications and product design without notice. Such revisions do not entitle the buyer to corresponding changes, improvements, additions or replacements for previously purchased equipment. For most current specifications and other info visit bunn.com.

Created on:
08/24/2017

Related Products & Accessories: ICB-DV LP(36600.0016)



FILTERS, GOURMET 500
500/1 50/CL

Product #: 20138.1000



PAPEL FILTRANTE

Product #: 20138.1000



WATER FILTER,
EQHP-10L

Product #: 39000.0001



WATER FILTER,
EQHP-10

Product #: 39000.0004



STAND ASSY, TF
SERVER

Product #: 39795.0003

Serving & Holding Options: ICB-DV LP(36600.0016)



STAND ASSY, TF
SERVER

Product #:39795.0003



TF SERVER, DSG2 1G
SST NOBASE

Product #:42700.0050



BUNN® reserves the right to change specifications and product design without notice. Such revisions do not entitle the buyer to corresponding changes, improvements, additions or replacements for previously purchased equipment. For most current specifications and other info visit bunn.com.

Created on:
08/24/2017