

# AXIOM 0/6 TWIN (6 Lower Warmers)

20.5" x 30.6" x 22.5"  
(52.1cm x 77.7cm x 57.2cm)



- Adjusts automatically to varying water pressure
- Automatic warmer shut-off
- For high lime areas, BrewLOGIC® technology calculates flow rate and adjusts brew time to maintain consistent pot levels
- Electronic diagnostics and built-in tank drain make service easier
- Large 200oz. (5.9L) tank provides back-to-back brewing capacity
- Ensure coffee quality with programming for brew level, cold brew lock-out and tank temperature, set easily from the front of the machine
- Coffee extraction controlled with programmable pre-infusion, pulse brew and digital temperature precision
- All stainless steel construction
- Energy-saver mode reduces tank temperature during idle periods
- Hot water faucet
- SplashGard® funnels deflect hot liquids away from the hand
- Six individually controlled warming stations
- Twin brew head system

 Servers and airpots sold separately

Agency:



## Specifications

**Product #:** 38700.0015

**Water Access:** Plumbed

**Finish:** Stainless

**Funnel:** Stainless Steel

**Faucet:** Upper

**Warmers:** Six Lower

**Legs:** 4" Black Legs

## Additional Features

DBC

## Electrical & Capacity

Volts	Amps	Watts	Cord Attached	Plug Type	8oz cups/hr 236ml cups/hr	Input H <sub>2</sub> O Temp.	Phase	# Wires plus Ground	Hertz
120/208-240	27.9	6700	No	-	240	60°F (15.5°C)	1	3	60

## Plumbing Requirements

PSI	kPa	Fitting Supplied	Water Flow Required (GPM)
20-90	138-621	3/8" Male Flare Fitting	-

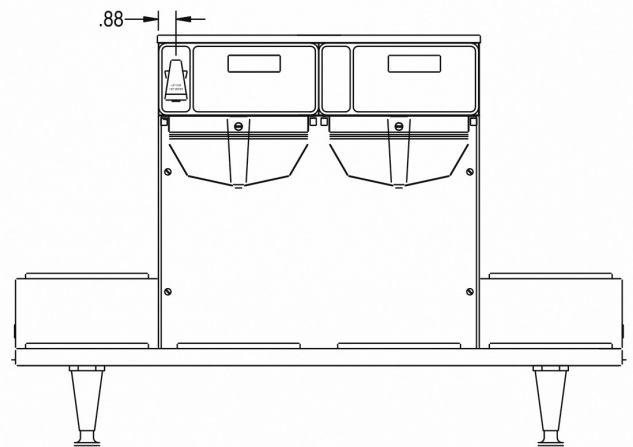
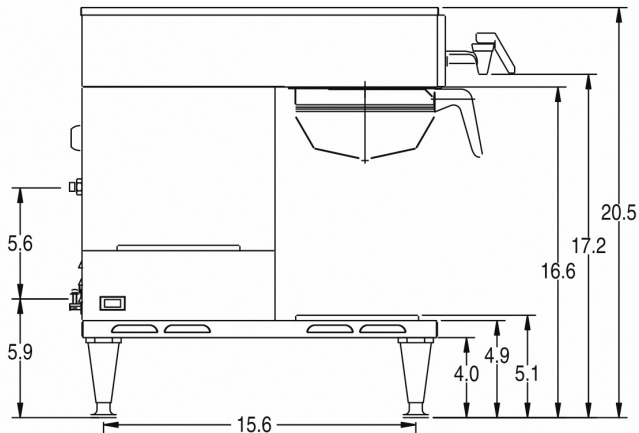
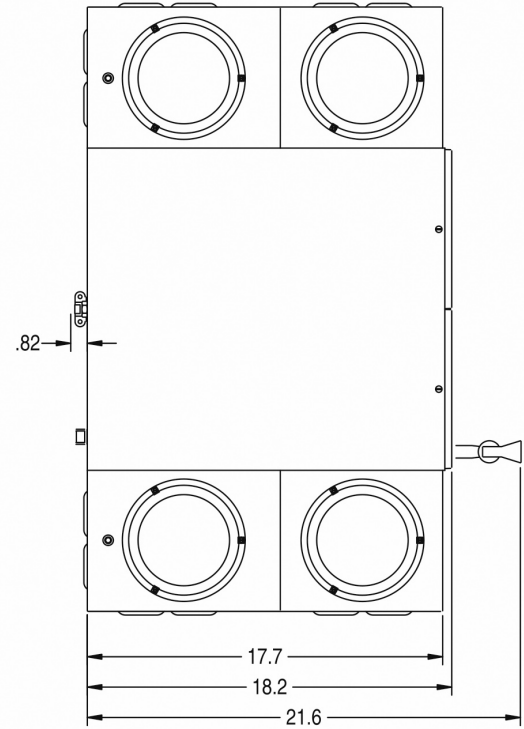
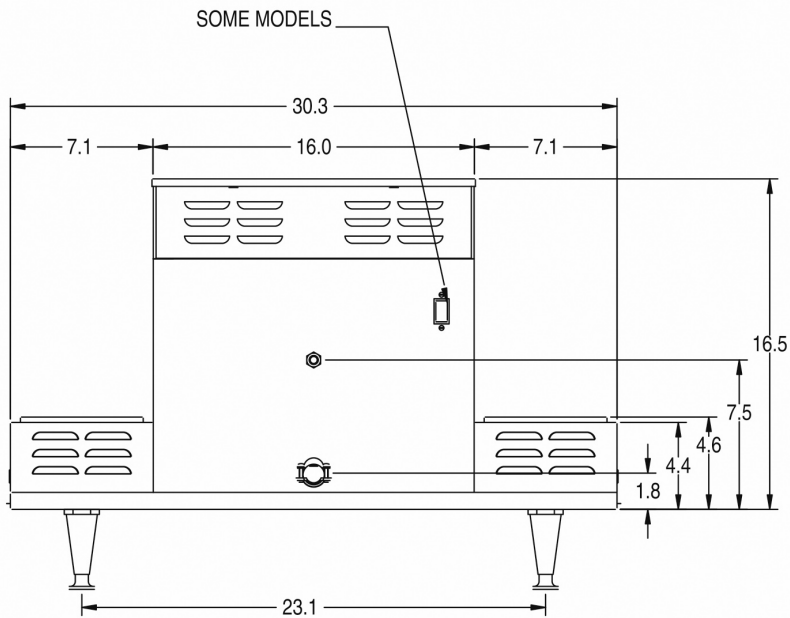
## CAD Drawings

2D	Revit	KLC
●		



BUNN® reserves the right to change specifications and product design without notice. Such revisions do not entitle the buyer to corresponding changes, improvements, additions or replacements for previously purchased equipment. For most current specifications and other info visit [bunn.com](http://bunn.com).

Created on:  
09/14/2017



Unit			Shipping					
	Width	Height	Depth	Width	Height	Depth	Weight	Volume
English	22.5 in.	20.5 in.	30.6 in.	25.5 in.	24.1 in.	33.5 in.	74.000 lbs	10.809 ft³
Metric	57.2 cm	52.1 cm	77.7 cm	64.8 cm	61.2 cm	85.1 cm	33.566 kgs	0.306 m³



BUNN® reserves the right to change specifications and product design without notice. Such revisions do not entitle the buyer to corresponding changes, improvements, additions or replacements for previously purchased equipment. For most current specifications and other info visit [bunn.com](http://bunn.com).

Created on:  
09/14/2017

## Related Products & Accessories: AXIOM 0/6 TWIN (6 Lower Warmers)(38700.0015)



FILTERS,REGULAR1M  
500/2 50/CL

Product #: 20115.0000



PAPEL FILTRANTE

Product #: 20115.0000



FILTERS,C GOURMET  
500/2 50/CL

Product #: 20157.0001



PAPEL FILTRANTE

Product #: 20157.0001



FUNNEL ASSY,SST-BLK  
HDL(7.62)

Product #: 20217.0000



PORTA FILTRO

Product #: 20217.0000



WATER FILTER,  
EQHP-10L

Product #: 39000.0001



WATER FILTER,  
EQHP-10

Product #: 39000.0004



WATER FILTER, SCALE-  
PRO

Product #: 39000.0010



FILTRO DE AGUA CON  
ACCESORIOS

Product #: 39000.0010

# Serving & Holding Options: AXIOM 0/6 TWIN (6 Lower Warmers)(38700.0015)



EASY POUR,(BLK) 1/CS

Product #:06100.0101



EASY POUR,(BLK) 2/CS

Product #:06100.0102



JARRAS

Product #:06100.0102



EASY POUR,(BLK) 3/CS

Product #:06100.0103



JARRAS

Product #:06100.0103



EASY POUR,(BLK) 6/CS

Product #:06100.0106



JARRAS

Product #:06100.0106



EASY POUR,(BLK) 12/CS

Product #:06100.0112



EASY POUR,(BLK) 24/CS

Product #:06100.0124



EASY POUR,(BLK) 6-1/2 CS

Product #:06100.0156



EASY POUR,(ORN) 1/CS

Product #:06101.0101



EASY POUR,(ORN) 2/CS

Product #:06101.0102



JARRAS

Product #:06101.0102



EASY POUR,(ORN) 3/CS

Product #:06101.0103



EASY POUR,(ORN) 6/CS

Product #:06101.0106



JARRAS

Product #:06101.0106



EASY POUR,(ORN) 12/CS

Product #:06101.0112



EASY POUR,(ORN) 24/CS

Product #:06101.0124



DECANTER,GLASS-BLK  
12C 24/CS

Product #:42400.0024



DECANTER,GLASS-BLK  
12CUP 1PK

Product #:42400.0101



BUNN® reserves the right to change specifications and product design without notice. Such revisions do not entitle the buyer to corresponding changes, improvements, additions or replacements for previously purchased equipment. For most current specifications and other info visit [bunn.com](http://bunn.com).

Created on:  
09/14/2017

## Serving & Holding Options: AXIOM 0/6 TWIN (6 Lower Warmers)(38700.0015)



DECANTER, GLASS-BLK  
12C 3/CS

Product #:42400.0103



DECANTER, GLASS-ORN  
12C 24/CS

Product #:42401.0024



DECANTER, GLASS-  
ORN 12 CUP 1PK

Product #:42401.0101



DECANTER, GLASS-ORN  
12C 3/CS

Product #:42401.0103



BUNN® reserves the right to change specifications and product design without notice. Such revisions do not entitle the buyer to corresponding changes, improvements, additions or replacements for previously purchased equipment. For most current specifications and other info visit [bunn.com](http://bunn.com).

Created on:  
09/14/2017