

LCA-1 LP (w/ Scholle 1910LX)

17.8" x 19.5" x 10.6"
(45.2cm x 49.5cm x 26.9cm)



- Accommodates one 1/2gal (1.9L) bag-in-box (BIB) container
- Compact, low-profile design accommodates a variety of spaces
- Hot water dispense button
- Preset for push-and-hold continuous dispense for self-serve applications
- Ready, power and warning LED lights communicate machine status
- Under 18" tall

 Servers and airpots sold separately

Agency:



Specifications

Product #: 44100.0000

Dispense: Push Button

Product Ratio: 25:1-100:1

Connector: Scholle 1910LX

Water Access: Plumbed

Finish: Black

Additional Features

Hot Water Button

Electrical & Capacity

Volts	Amps	Watts	Cord Attached	Plug Type	8oz cups/hr 236ml cups/hr	Input H ² O Temp.	Phase	# Wires plus Ground	Hertz
120	12	1440	Yes	NEMA 5-15P	585	60°F (15.5°C)	1	2	60

Plumbing Requirements

PSI	kPa	Fitting Supplied	Water Flow Required (GPM)
20-90	138-621	1/4" Male Flare Fitting	-

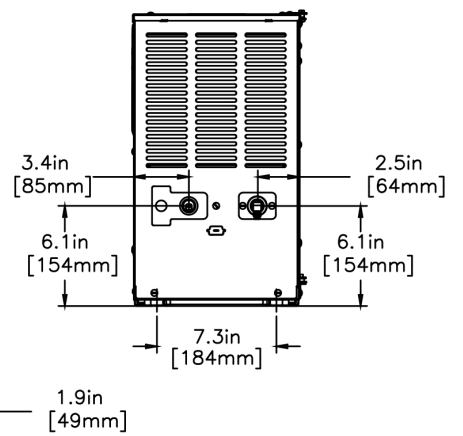
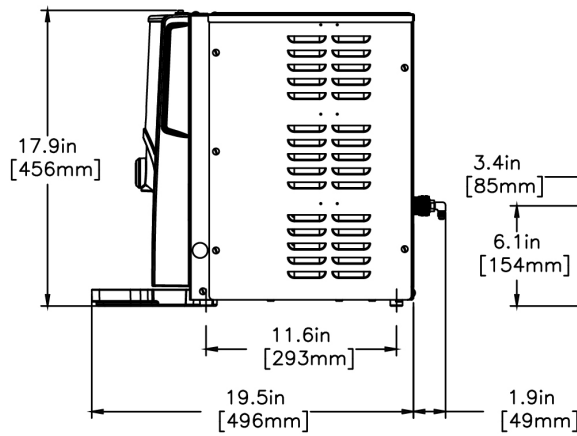
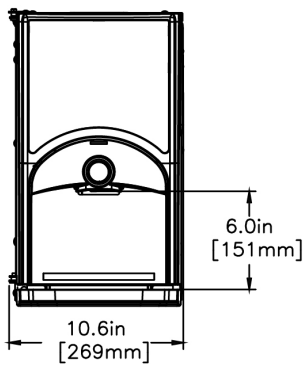
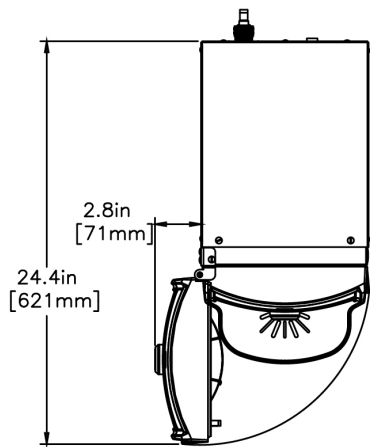
CAD Drawings

2D	Revit	KLC
●		



BUNN® reserves the right to change specifications and product design without notice. Such revisions do not entitle the buyer to corresponding changes, improvements, additions or replacements for previously purchased equipment. For most current specifications and other info visit bunn.com.

Created on:
01/27/2017



Unit			Shipping					
	Width	Height	Depth	Width	Height	Depth	Weight	Volume
English	10.6 in.	17.8 in.	19.5 in.	-	-	-	40.470 lbs	-
Metric	26.9 cm	45.2 cm	49.5 cm	-	-	-	18.357 kgs	-



BUNN® reserves the right to change specifications and product design without notice. Such revisions do not entitle the buyer to corresponding changes, improvements, additions or replacements for previously purchased equipment. For most current specifications and other info visit bunn.com.

Created on:
01/27/2017

Related Products & Accessories:LCA-1 LP (w/ Scholle 1910LX)(44100.0000)

KIT, DOOR LOCK LCA-1/
LCR-1

Product #: 34472.1004



KIT,DISPENSE RATIO
CAL LCA/LCC

Product #: 34843.1000



WATER FILTER,
EQHP-10L

Product #: 39000.0001

ADPTR/TUBE PKG, LCR/
LCA-1 W/SCH1910

Product #: 44100.0200

ADPTR/TUBE PKG, LCR/
LCA-1 W/QCDII

Product #: 44100.0201

ADPTR/TUBE PKG, LCR/
LCA-1 W/SCH Q/C

Product #: 44100.0202

KIT, RISER 2.5" LCR/
LCA-1

Product #: 44100.0600

TUBE ASSY,
PUMP.125ID LCR/LCA-1

Product #: 44713.1000



BUNN® reserves the right to change specifications and product design without notice. Such revisions do not entitle the buyer to corresponding changes, improvements, additions or replacements for previously purchased equipment. For most current specifications and other info visit bunn.com.

Created on:
01/27/2017

Serving & Holding Options: LCA-1 LP (w/ Scholle 1910LX)(44100.0000)

Serving and Holding selections are currently unavailable. Please contact your sales representative to find out more information.



BUNN® reserves the right to change specifications and product design without notice. Such revisions do not entitle the buyer to corresponding changes, improvements, additions or replacements for previously purchased equipment. For most current specifications and other info visit bunn.com.

Created on:
01/27/2017