



## BARBOSS® ADVANCE®

### The Ultimate Blender for Every Beverage Programme

Whether preparing blended drinks, simple syrups or purées for cocktail bases, the BarBoss Advance is an essential tool for adding or expanding a beverage programme.

### Smart Product Design

- 6 optimised programmes and automatic shut-off means you can turn it on, walk away, and achieve consistent results
- Pulse control quickly refreshes drinks for efficiency
- Advance® container creates faster, smoother pouring and has a longer blade life resulting in time and cost savings along with improved customer experience
- Advanced motor is designed to resist overheating when blending extra-thick ingredients resulting in cooler operation and enhanced reliability during peak hours of operation



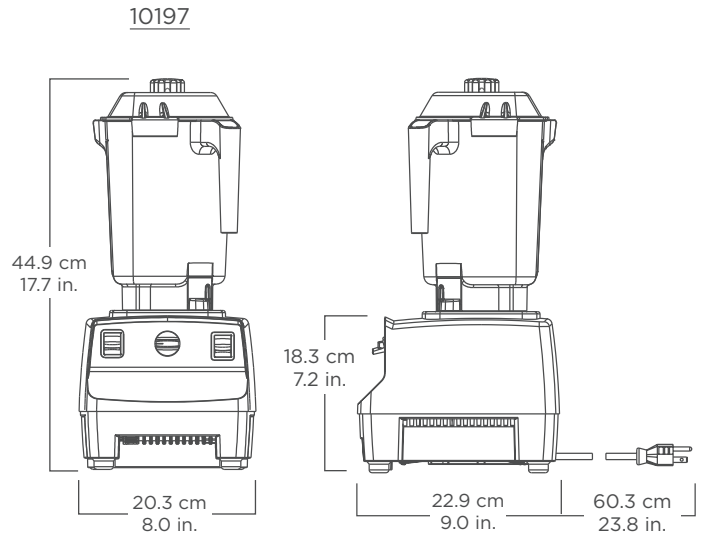
Create signature drinks

## Product Specifications

### BarBoss® Advance®

Item Number: 10197  
 Motor: ≈2 peak output horsepower motor  
 Electrical: 220 - 240 V, 50/60 Hz, 1000 - 1200 W  
 Pack: Includes BarBoss Advance with 0.9 L high-impact, clear/stackable Advance® container, complete with Advance blade assembly and lid, and red base.  
 Net Weight: 5.5 kg (6.8 kg with box)  
 Dimensions: 44.9 x 20.3 x 22.9 cm (H x W x D)

Warranty: Please contact your authorised Vitamix distributor for warranty information.

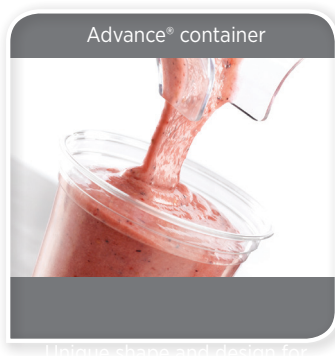


## Also Available

Additional containers, complete with blade assembly and lid.

Item Number: 15981: Advance container 0.9 L  
 15506: standard container 1.4 L  
 15640: compact container 0.9 L

Where applicable:



## Contact Information

### U.S.A.:

Phone: 800.437.4654  
 Fax: 440.235.9670  
 Email: commercial@vitamix.com

### vitamix.com

For more information, contact your local foodservice distributor.

### Outside of U.S.A.:

Phone: +1.440.782.2450  
 Fax: +1.440.782.2220  
 Email: international@vitamix.com