



M Series 700 Ice Cube Machine

Model: MD0700A-251B MY0700A-251B MD0700W-251B MY0700W-251B



M700 Ice Machine on A570V Bin

- Up to 310kgs (683 lbs) daily ice production and only 30.00" (76.00 cm) wide
- R-410A CFC-free refrigerant
- Easy access to food zone with removal of two screws and lift-off door
- White plastics in the food zone help identify areas needing cleaning
- Water shield, distribution tube, pump, floats, and trough removable by hand
- Available CleanAir™ pack controls the growth of bacteria and fungi that form slime and cause odors in the food zone

Specifications

BTU Per Hour:
9,000 (average), 13,900 (peak)

Compressor:
Nominal Rating: 1.25 HP

Refrigerant:
R-410A

Operating Limits:

- Ambient Temperature Range: 1.7°C to 43.3°C

- Water Temperature Range: 1.7°C to 32.2°C

- Water Pressure Ice Maker Water In:
Min. 20 psi (137.9kPA)
Max. 80 psi (551.1kPA)



Ice Machine Electric

220-240/50/1 standard

Total Circuit Ampacity:

Air Cooled: 8.6A
Water Cooled: 8.2A

Maximum Fuse Size:

20A

HACR-type circuit breakers can be used in place of fuses

Cube Size Available



Half-dice
3/8" X 1 1/8" X 7/8"
(0.95 x 2.86 x 2.22 cm)



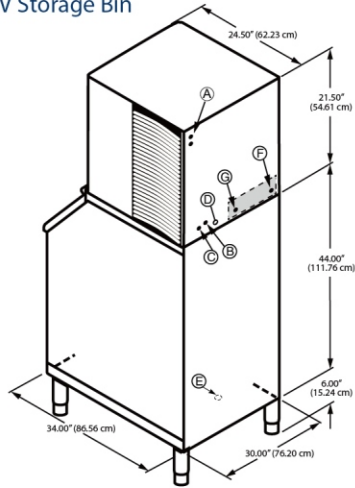
Dice
7/8" X 7/8" X 7/8"
2.22 X 2.22 X 2.22 (cm)





M Series 700 Ice Cube Machine

M700 on A570V Storage Bin



- A Electrical Entrance (2) Options
- B 3/8" (0.95 cm) F.P.T. Ice Making Water Inlet
- C 1/2" (1.27 cm) F.P.T. Ice Making Water Drain
- D 1/2" (1.27 cm) Auxillary Base Drain Socket
- E 3/4" (1.91 cm) Bin Drain
- F 3/8" (0.95 cm) F.P.T. Water Condenser Inlet (water-cooled units)
- G 1/2" (1.27 cm) F.P.T. Water Condenser Outlet (water-cooled units)

*Installation Note - Minimum installation clearance:
Top/sides: 8" (20.32 cm), back: 5" (12.70 cm).*

Space-Saving Designs



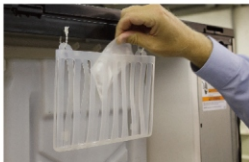
	M700 A570V
Height	71.50" 181.61cm
Width	30.00" 76.20 cm
Depth	34.00" 86.56 cm
Bin Storage	430 lbs 195 kg

*Height includes adjustable bin legs 6.00" to 7.00"
(15.24 cm to 17.78 cm) set at 6.00" (15.24 cm).*

Model	Ice Shape	Ice Production 24 Hours		Power Usage kWh/100 lbs. @90°Air/70°F	Water Usage 100 lbs. 45.4 kgs. of Ice
		70°Air/ 50°F Water	90°Air/ 70°F Water		
MD0700A-251B	dice	290 kg	228 kg	5.36	71.8
		639 lbs	502 lbs		
MY0700A-251B	half-dice	309 kg	240 kg	5.36	71.8
		681 lbs	529 lbs		
MD0700W-251B	dice	292 kg	229 kg	4.34	67.5
		643 lbs	504 lbs		
MY0700W-251B	half-dice	310 kg	240 kg	4.34	67.5
		683 lbs	529 lbs		

Suffix of model "A" means air cooled, Suffix of model "W" means water cooled.

CleanAir™ Pack Slime Inhibitor



CleanAir™ Pack Accessory is patented technology that releases chlorine dioxide on a controlled basis to inhibit the growth of bacteria and fungi that form slime and cause odors in the food zone ice machines.

Easy Access to Parts of Water System



Water shield, distribution tube, pump, floats, and trough removable by hand

Easy Access to Air Filter



Easy to clean, reusable air filter protects condenser from lint, grease and dust.